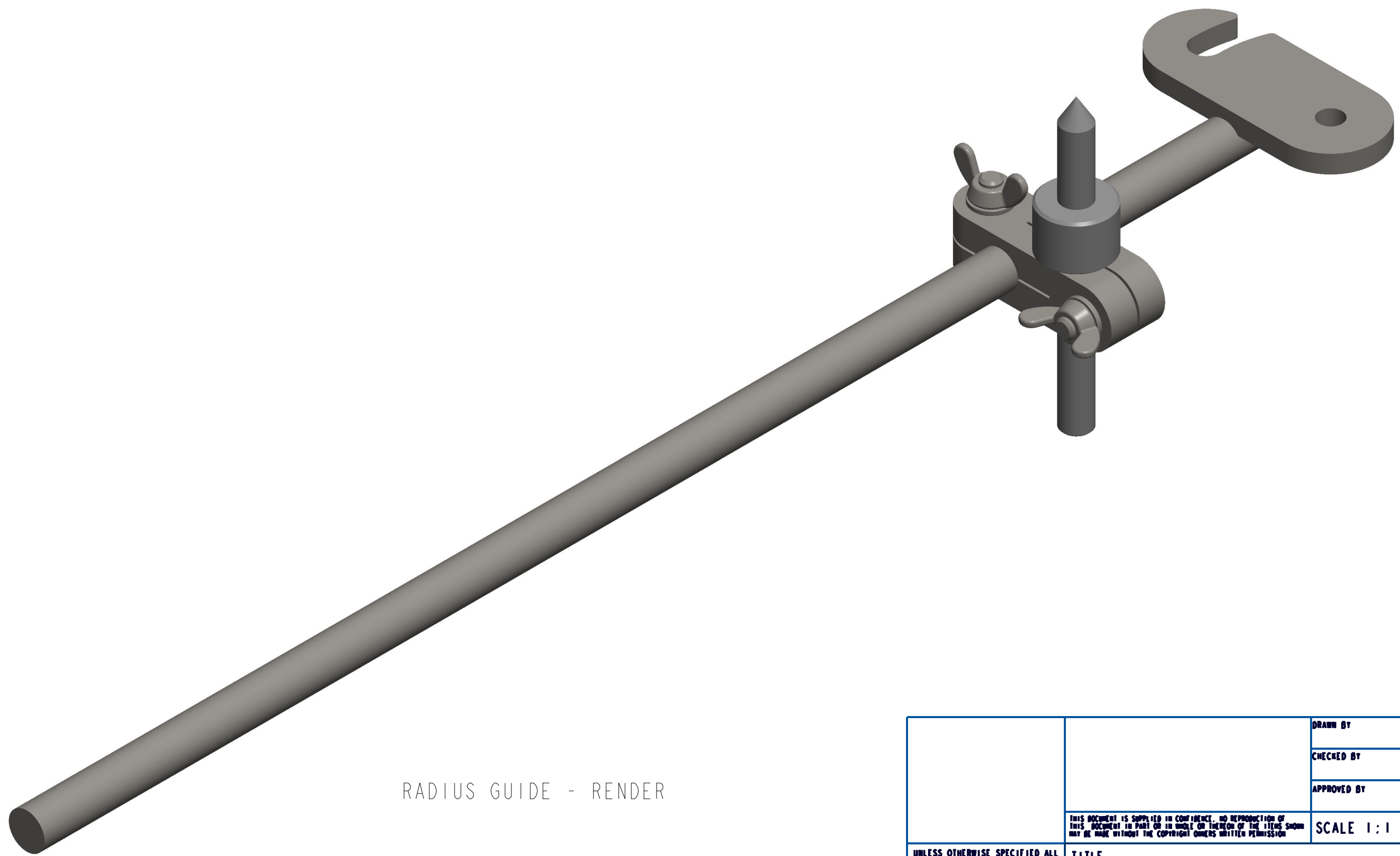


<b>MODEL NAME</b> CORONET_IMP_RAD	<b>TITLE</b> MOUNTING PLATE
--------------------------------------	--------------------------------

**The Boleyn Workshop**



RADIUS GUIDE - RENDER

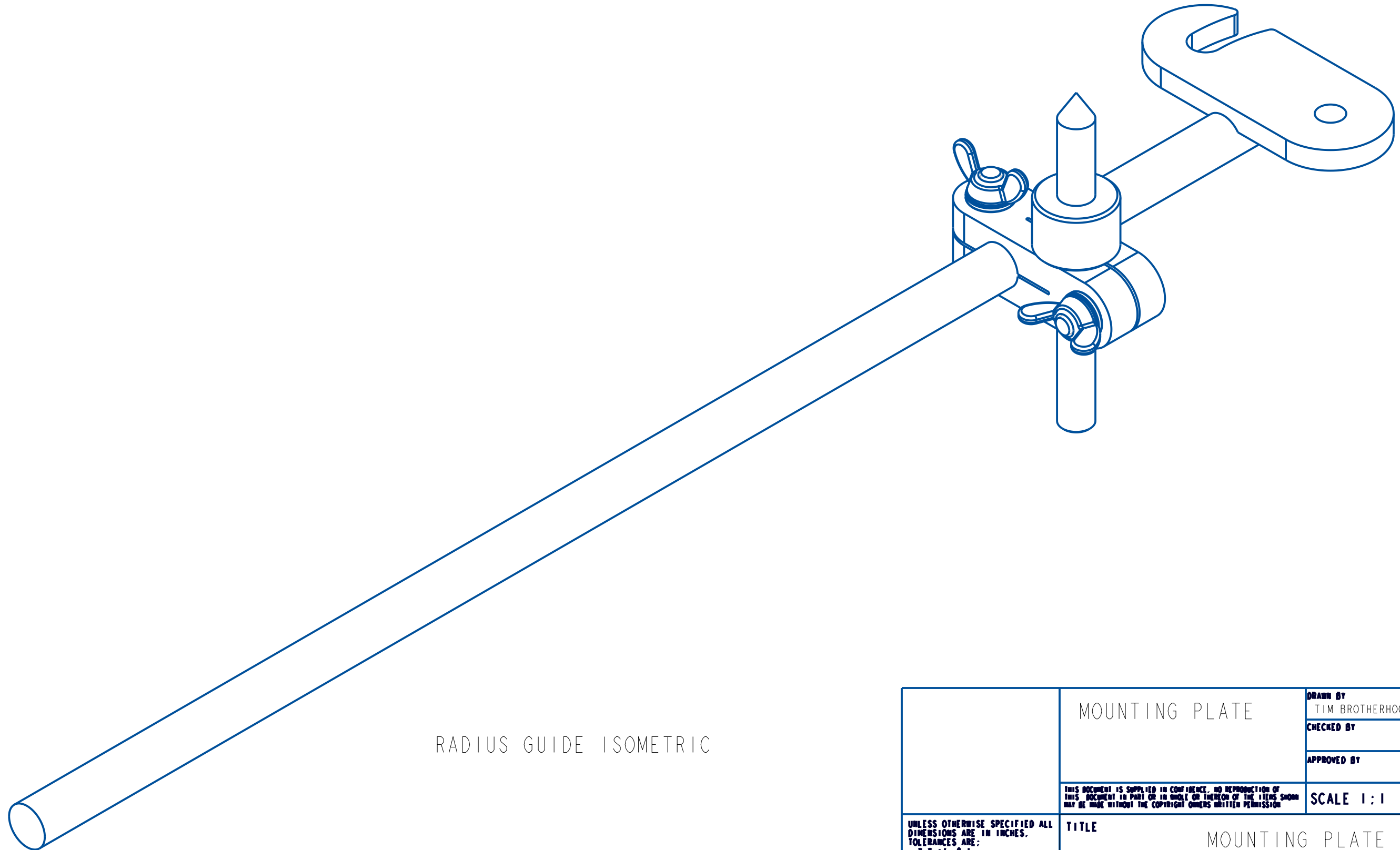
		<b>DRAWN BY</b>	DATE
		<b>CHECKED BY</b>	DATE
		<b>APPROVED BY</b>	DATE
<small>THIS DOCUMENT IS SUPPLIED IN CONFIDENCE. NO REPRODUCTION OF THIS DOCUMENT IN PART OR IN WHOLE OR IN ANY MANNER OF THE ITEMS SHOWN MAY BE MADE WITHOUT THE COPYRIGHT OWNERS WRITTEN PERMISSION</small>		<b>SCALE 1:1</b>	<b>SHEET 1 OF 1</b>
<small>UNLESS OTHERWISE SPECIFIED ALL DIMENSIONS ARE IN INCHES. TOLERANCES ARE: X.X +/- 0.1 X.XX +/- 0.01 X.XXX +/- 0.001 ANG +/- 1°</small>		<b>TITLE</b> MOUNTING PLATE	
<b>DO NOT SCALE</b>		<b>PROJECT</b> CORONET_IMP_RADIUS_JIG	<b>MODEL NAME</b> CORONET_IMP_RADIUS

MODEL NAME  
CORONET\_IMP\_RAD

TITLE  
US\_GUIDE

MOUNTING PLATE

**The Boleyn Workshop**



RADIUS GUIDE ISOMETRIC

UNLESS OTHERWISE SPECIFIED ALL  
DIMENSIONS ARE IN INCHES.  
TOLERANCES ARE:  
X.X +/- 0.1  
X.XX +/- 0.01  
X.XXX +/- 0.001  
ANG +/- 1°

DO NOT SCALE

MOUNTING PLATE

DRAWN BY  
TIM BROTHERHOOD

DATE

CHECKED BY

DATE

APPROVED BY

DATE

THIS DOCUMENT IS SUPPLIED IN CONFIDENCE. NO REPRODUCTION OF  
THIS DOCUMENT IN PART OR IN WHOLE OR IN ANY OF THE ITEMS SHOWN  
MAY BE MADE WITHOUT THE COPYRIGHT OWNERS WRITTEN PERMISSION

SCALE 1:1

SHEET 1 OF 1

TITLE

MOUNTING PLATE

PROJECT

CORONET\_IMP\_RADIUS\_JIG

MODEL NAME

CORONET\_IMP\_RADIUS

ISSUE

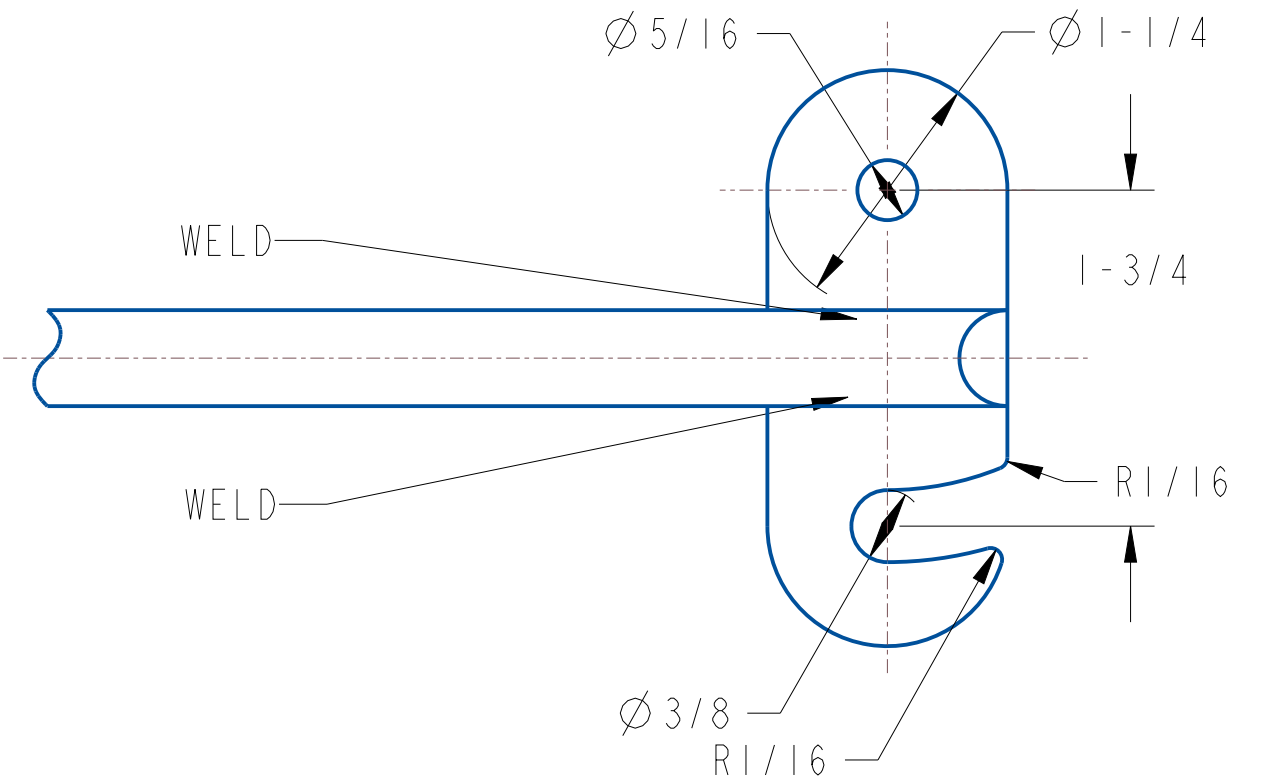
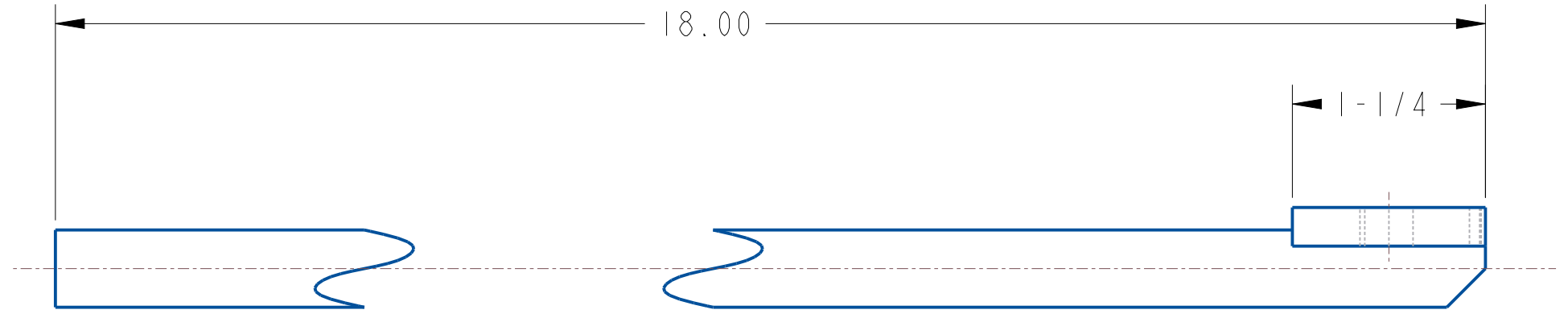
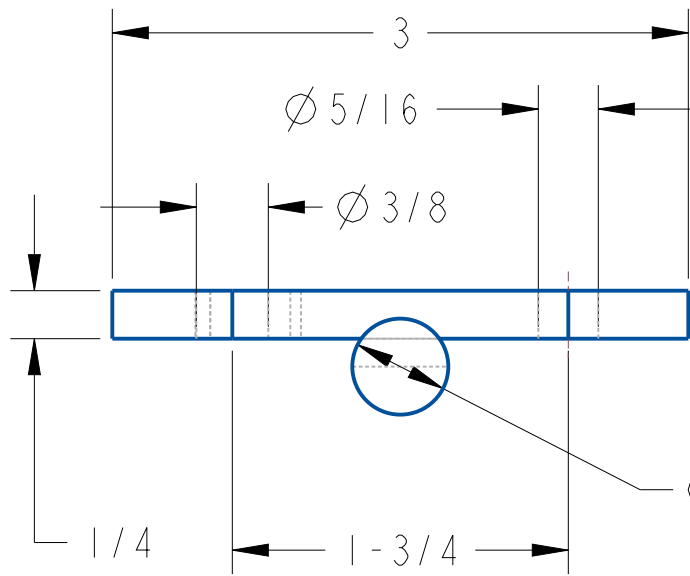
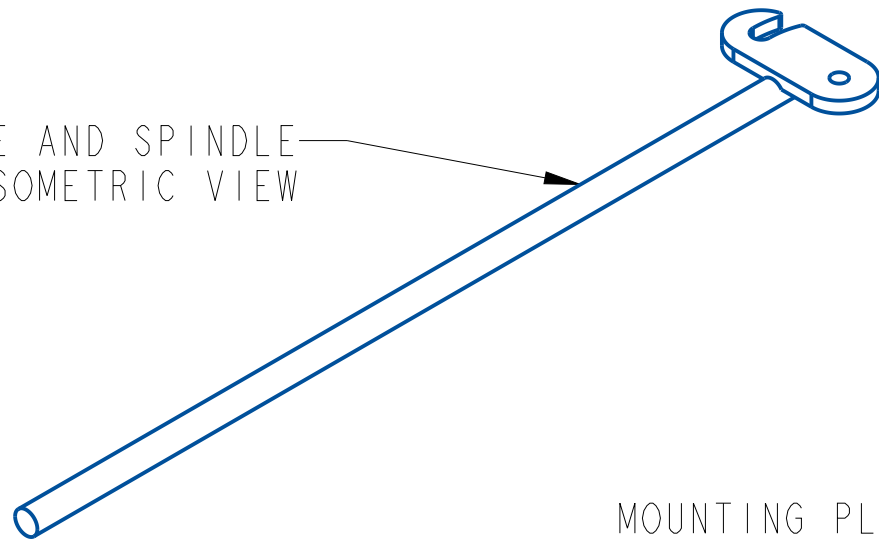
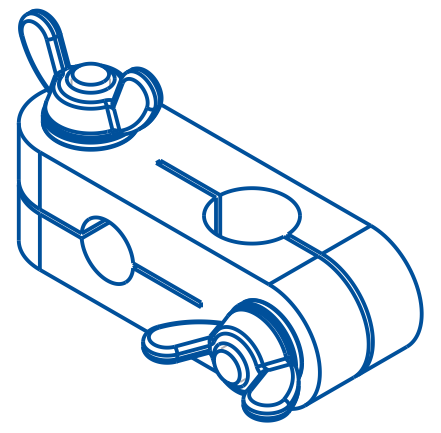
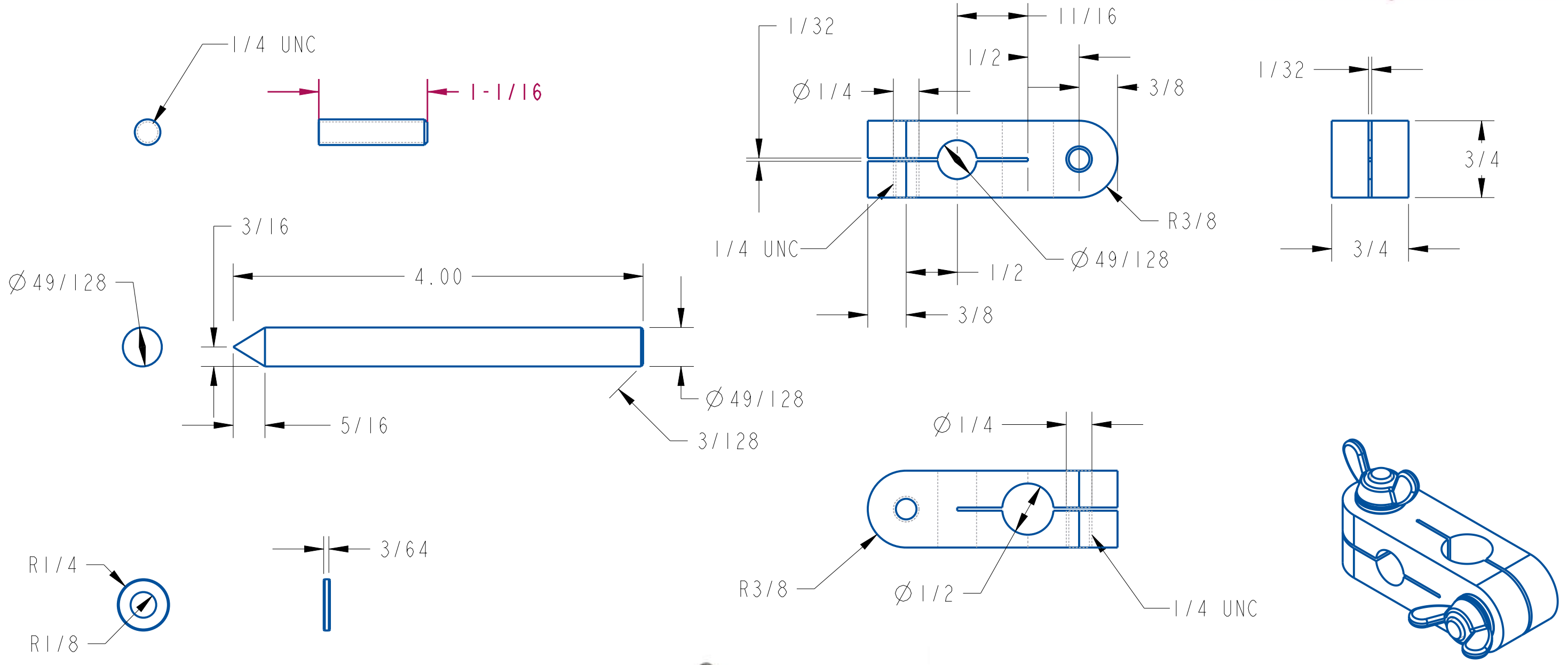


PLATE AND SPINDLE ISOMETRIC VIEW



MOUNTING PLATE DETAIL

	MOUNTING PLATE	DRAWN BY	TIM B	DATE	06/12/2020
		CHECKED BY		DATE	
		APPROVED BY		DATE	
<small>THIS DOCUMENT IS SUPPLIED IN CONFIDENCE. NO REPRODUCTION OF THIS DOCUMENT IN PART OR IN WHOLE OR IN ANY MANNER OF THE ITEMS SHOWN MAY BE MADE WITHOUT THE COPYRIGHT OWNERS WRITTEN PERMISSION.</small>		SCALE	1:2	SHEET	1 OF 1
<small>UNLESS OTHERWISE SPECIFIED ALL DIMENSIONS ARE IN INCHES.  TOLERANCES ARE:  X.X +/- 0.1  X.XX +/- 0.01  X.XXX +/- 0.001  ANG +/- 1°</small>	TITLE				
DO NOT SCALE	PROJECT	MODEL NAME	CORONET_IMP_RADIUS		
		ISSUE			



CLAMP BLOCK ASSEMBLY

<p>UNLESS OTHERWISE SPECIFIED ALL DIMENSIONS ARE IN INCHES.  TOLERANCES ARE:  X.X +/- 0.1  X.XX +/- 0.01  X.XXX +/- 0.001  ANG +/- 1°</p> <p>DO NOT SCALE</p>	<p>THIS DOCUMENT IS SUPPLIED IN CONFIDENCE. NO REPRODUCTION OF THIS DOCUMENT IN PART OR IN WHOLE OR IN ANY MANNER OF THE ITEMS SHOWN MAY BE MADE WITHOUT THE COPYRIGHT OWNERS WRITTEN PERMISSION</p>		<p>DRAWN BY</p>	<p>DATE</p>
	<p>TITLE</p> <p>RADIUS SPINDLE</p>		<p>CHECKED BY</p>	<p>DATE</p>
	<p>PROJECT</p> <p>CORONET IMP RADIUS JIG</p>		<p>APPROVED BY</p>	<p>DATE</p>
	<p>MODEL NAME</p> <p>CORONET_IMP_RADIUS</p>		<p>SCALE 1:2</p>	<p>SHEET 1 OF 1</p>

